



**SLIM-LINE BUILT-IN GAS FIREPLACES**

**SÓLAS**  
CONTEMPORARY FIRE

# The Home of Contemporary Fire

Transform your interior with a SÓLAS Slim-Line Built-In Gas Fireplace. Our revolutionary designs allow you to create a dramatic contemporary focal point while occupying a minimum amount of your rooms' floor space.

Proudly Designed and Built in the USA



# Why SÓLAS

Our state-of-the-art designs mean that SÓLAS Slim-Line Built-In Fireplaces can be installed almost anywhere. Only 12 inches thin and with a low overall height, installation space requirements are reduced to an absolute minimum.

## Innovative Design

The SÓLAS line of highly efficient contemporary fireplaces offers all of the features in demand by today's most discerning, design conscious homeowner.

## Installation Flexibility

SÓLAS Slim-Line Built-In fireplaces require only 4 inches of noncombustible construction materials around the unit.

## NG or LP Fuel

SÓLAS Slim-Line Built-In fireplaces can be easily converted to operate on either Natural or LP Gas.

## Made With Pride In The USA

SÓLAS products are designed and manufactured at our facility in New Hampshire, USA.

## Flexible Venting Options

Unparalleled venting options from incredibly short minimum venting requirements to available Power Venting, SÓLAS Slim-Line Built-In Fireplaces offer unprecedented installation flexibility.

## Trim Panels

All Built-In Fireplaces can be manufactured with ½ inch black or stainless steel trim that frames the glass viewing area. Trim will allow for a sharper transition between the fireplace and the finished wall.

## Porcelain Enamel

SÓLAS Fireplaces provide amazing radiant heat using the combination of reflective glass media and porcelain enamel panels. The panels provide reflective radiant heat, in addition to several layers of fire light—all of which enhance the soothing dancing flames.

## Battery Operation

SÓLAS Built-In fireplaces are 110V powered, with a battery backup for power out situations.



## Simple Operation

SÓLAS Fireplaces can be operated manually or Thermostatically using the hand held Remote Control (standard). An optional wall switch is also available for manual operation. Flame height can be raised or lowered to achieve the desired effect.



## Safety Standards

All SÓLAS products come with an invisible, inconspicuous modern-mesh screen in compliance with the latest safety standards.



## Reflective Glass Media Burner Pan

Reflective glass media is used in SÓLAS Fireplaces—ensuring they will operate with the highest efficiency possible. Glass crystals on top of the burner cast light throughout the fireplace and surrounding areas. Black and clear mixed glass media is standard; colored glass media is optional (see page 11).

# RE-IMAGINE FIRE



# FORTY8 SLIM-LINE BUILT-IN FIREPLACE (4 FT)



FORTY8 SEE-THRU

## Built-in Gas Fireplace

This subtle 4 ft fireplace, Single-Sided or See-Thru, adds contemporary ambiance to a variety of room settings. Highly efficient while conveniently sized for homes and commercial settings, the FORTY8 is versatile for a range of architectural applications. The model FORTY8 is the answer for transforming a space from mundane to modern with an easy installation.

## Features

- Thin 12" (305mm) Design for Greater Installation Flexibility
- Natural Gas or Propane
- Automatic Pilot Ignition
- Reflective Porcelain Enamel Liners
- Integrated Modern Mesh Safety Screen
- Optional Heat Redistribution Kit
- Optional Power Vent Kit
- Variable Speed Blower (x2 for See-Thru Models)
- Optional ½" (12.7mm) Black or Stainless Steel Trim Around Fireplace Opening

## Specifications

BTU Rate Range (LP) .....	30,000 - 19,000/hr
BTU Rate Range (NG) .....	26,000 - 16,000/hr
Viewing Area .....	49" (1245mm) W x 12.52" (318mm) H
Dimensions .....	63.22" (1606mm) W x 28.83" (732mm) H x 12" (305mm) D
Venting .....	4" x 6⅝" Direct-Vent
Minimum Flue Vertical.....	12" (305mm)
Blower .....	Standard Variable Speed
Remote Control .....	Standard Thermostatic Remote Control

# SIXTY0 SLIM-LINE BUILT-IN FIREPLACE (5 FT)



SIXTY0 SEE-THRU

## Built-in Gas Fireplace

Create new perspectives with our Single-Sided or See-Thru model SIXTY0 fireplaces. Our Single-Sided model SIXTY0 will add a dramatic focal point in larger rooms while the See-Thru SIXTY0 will allow you to enjoy the full firebox flames from more than one room and from different angles. Aesthetic and installation options abound with our highly-efficient model SIXTY0.

## Features

- Thin 12" (305mm) Design for Greater Installation Flexibility
- Natural Gas or Propane
- Automatic Pilot Ignition
- Reflective Porcelain Enamel Liners
- Integrated Modern Mesh Safety Screen
- Optional Heat Redistribution Kit
- Optional Power Vent Kit
- Variable Speed Blower (x2 for See-Thru Models)
- Optional ½" (12.7mm) Black or Stainless Steel Trim Around Fireplace Opening

## Specifications

BTU Rate Range (LP) .....	34,000 - 25,000/hr
BTU Rate Range (NG) .....	30,000 - 21,000/hr
Viewing Area .....	59" (1499mm) W x 12.52" (318mm) H
Dimensions .....	73.22" (1860mm) W x 28.83" (732mm) H x 12" (305mm) D
Venting .....	4" x 6 <sup>5</sup> / <sub>8</sub> " Direct-Vent
Minimum Flue Vertical.....	24" (610mm)
Blower .....	Standard Variable Speed
Remote Control .....	Standard Thermostatic Remote Control

# DESIGNED TO INSPIRE







# SEVENTY2 SLIM-LINE BUILT-IN FIREPLACE (6 FT)



SEVENTY2 SEE-THRU

## Built-in Gas Fireplace

The Model SEVENTY2 with its 6 feet of vibrant flame, is sure to add a dramatic focal point to any room. Our ultra-linear Single-Sided or See-Thru models make a bold architectural statement while occupying minimal floor space due to their industry-leading shallow depth, only 12" thin.

Designed to inspire, the sleek model Seventy2 will add a unique level of contemporary ambiance and elegance to your interior. Engineered for exceptional elegance & efficiency.

## Features

- Thin 12" (305mm) Design for Greater Installation Flexibility
- Natural Gas or Propane
- Automatic Pilot Ignition
- Reflective Porcelain Enamel Liners
- Integrated Modern Mesh Safety Screen
- Optional Heat Redistribution Kit
- Optional Power Vent Kit
- Variable Speed Blower (x2 for See-Thru Models)
- Optional ½" (12.7mm) Black or Stainless Steel Trim Around Fireplace Opening

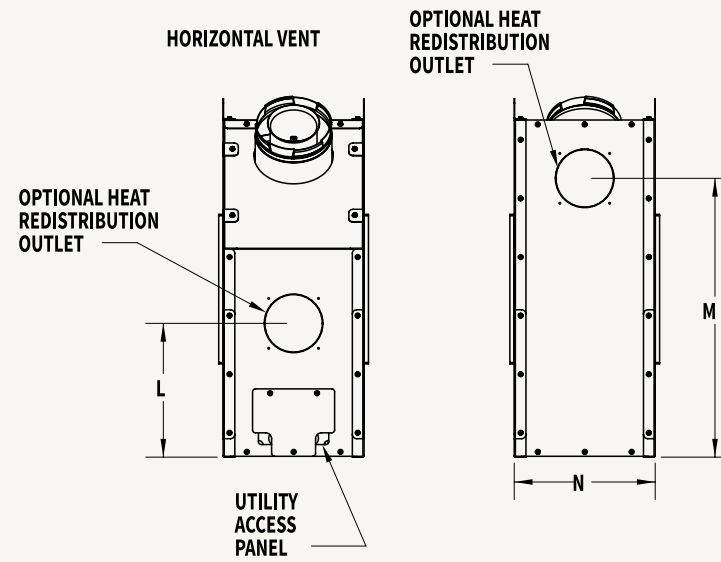
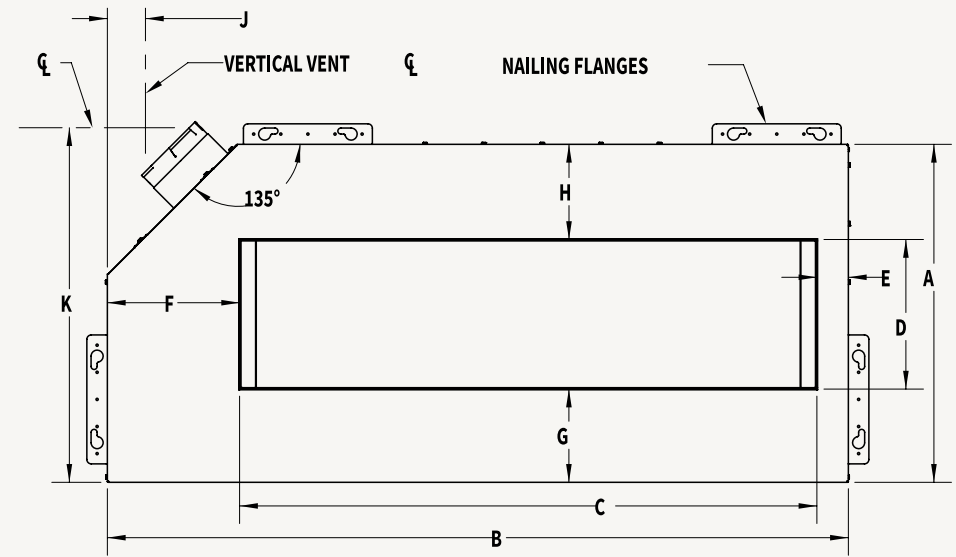
## Specifications

BTU Rate Range (LP) .....	40,000 - 28,000/hr
BTU Rate Range (NG) .....	34,000 - 27,000/hr
Viewing Area .....	73" (1854mm) W x 12.52" (318mm) H
Dimensions .....	87.22" (2215mm) W x 28.83" (732mm) H x 12" (305mm) D
Venting .....	4" x 6⅝" Direct-Vent
Minimum Flue Vertical.....	24" (610mm)
Blower .....	Standard Variable Speed
Remote Control .....	Standard Thermostatic Remote Control

# Built-In Specifications

SPECIFICATIONS	FORTY8	SIXTY0	SEVENTY2
Dimension "A"	29" (737mm)	29" (737mm)	29" (737mm)
Dimension "B"	63.625" (1,616mm)	73.625" (1,870mm)	87.625" (2,226mm)
Dimension "C"	49.25" (1,251mm)	59.25" (1,505mm)	73.25" (1,861mm)
Dimension "D"	12.75" (324mm)	12.75" (324mm)	12.75" (324mm)
Dimension "E"	2.70" (69mm)	2.70" (69mm)	2.70" (69mm)
Dimension "F"	11.30" (287mm)	11.30" (287mm)	11.30" (287mm)
Dimension "G"	7.95" (202mm)	7.95" (202mm)	7.95" (202mm)
Dimension "H"	8.125" (206mm)	8.125" (206mm)	8.125" (206mm)
Dimension "J"	3.25" (83mm)	3.25" (83mm)	3.25" (83mm)
Dimension "K"	30.25" (768.5mm)	30.25" (768.5mm)	30.25" (768.5mm)
Dimension "L"	11.50" (292mm)	11.50" (292mm)	11.50" (292mm)
Dimension "M"	23.875" (606.5mm)	23.875" (606.5mm)	23.875" (606.5mm)
Dimension "N"	12" (305mm)	12" (305mm)	12" (305mm)

*Disclaimer: The images seen in this catalog may appear to depict inaccuracies from the required clearances to combustibles. All clearances as outlined in this specification matrix must be maintained. Please refer to the installation manual for complete installation requirements.*



# Trim Options



SATIN BLACK TRIM



STAINLESS STEEL TRIM

# Colored Glass Media Options



AUREO REFLECTIVE



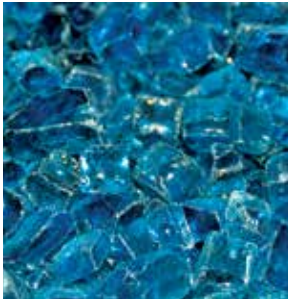
CERULEAN



CYPRIMUM



JADE



LA MER



SAPPHIRE REFLECTIVE

# SÓLAS

CONTEMPORARY FIRE

4 TECHNOLOGY DRIVE  
WEST LEBANON, NH 03784

P: (603) 298-5169  
F: (603) 298-9246

*A Division of Progressive Manufacturing Inc.*

See the full line of SÓLAS products at [www.solasfires.com](http://www.solasfires.com)



**PROUDLY DESIGNED AND BUILT IN THE USA**  
Product specifications subject to change without notice